

Ferrule

Sleeve for mm ²	AWG	Color Code	Strip Length mm	L	L1	D	D1	D2	Item No.	Pack. Unit
Ferrule; insulated; extra long for TOBJOB® S Terminal Blocks										
0.5	22	○	12	16	10	3.1	2.6	1	216-241	1000
0.75	20		12	16	10	3.3	2.8	1.2	216-242	1000
0.75	20	○	14	18	12	3.3	2.8	1.2	216-262	1000
1	18		12	16	10	3.5	3	1.4	216-243	1000
1	18	●	14	18	12	3.5	3	1.4	216-263	1000
1.5	16		12	16	10	4	3.5	1.7	216-244	1000
1.5	16	●	14	18	12	4	3.5	1.7	216-264	1000
1.5	16		20	24	18	4	3.5	1.7	216-284	1000
2.5	14	●	12	17	10	4.7	4.2	2.2	216-246	1000
2.5	14		14	19	12	4.7	4.2	2.2	216-266	1000
2.5	14	●	20	25	18	4.7	4.2	2.2	216-286	1000
4	12		14	20	12	5.4	4.8	2.8	216-267	500
4	12	○	20	26	18	5.4	4.8	2.8	216-287	500
6	10		14	20	12	6.9	6.3	3.5	216-208	500
6	10	●	20	26	18	6.9	6.3	3.5	216-288	500
10	8		20	28	18	8.4	7.6	4.5	216-289	500
16	6	●	23	28	18	9.6	8.8	5.8	216-210	500

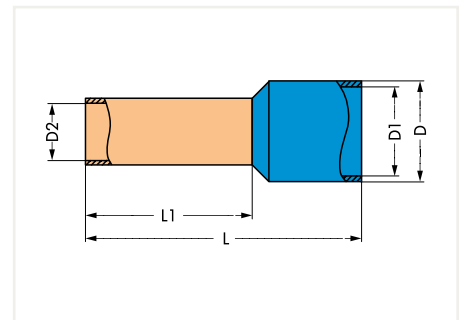
Ferrule; insulated; in standard length										
0.25	24		7.5	10.5	6	2.5	2	0.8	216-321	1000
0.25	24	●	9.5	12.5	8	2.5	2	0.8	216-301	1000
0.35	24		7.5	10.5	6	2.5	2	0.8	216-322	1000
0.34	24	●	9.5	12.5	8	2.5	2	0.8	216-302	1000
0.5	22		7.5	11.5	6	3	2.5	1.1	216-221	1000
0.5	22	○	9.5	13.5	8	3	2.5	1.1	216-201	1000
0.75	20		8	12	6	3.3	2.8	1.3	216-222	1000
0.75	20	○	10	14	8	3.3	2.8	1.3	216-202	1000
1	18		8	12	6	3.6	3	1.5	216-223	1000
1	18	●	10	14	8	3.6	3	1.5	216-203	1000
1.5	16		8	12	6	4	3.4	1.8	216-224	1000
1.5	16	●	10	14	8	4	3.4	1.8	216-204	1000
2.08	14		10	14.5	8	4.2	3.6	2.05	216-205	1000
2.5	14	●	10	15	8	4.8	4.2	2.3	216-206	1000
4	12		12	16.8	9.5	5.4	4.8	2.9	216-207	1000
6	10	●	14	20	12	6.8	6.2	3.5	216-208	100
10	8		16	21	12	8.1	7.5	4.6	216-209	100
16	6	●	23	28	18	9.6	8.8	5.8	216-210	100

Twin ferrule; insulated; extra long for TOBJOB® S Terminal Blocks										
2 x 0.5	2 x 20		10	16.4	10	3.5x2.0	2.9x1.4	1.4	216-530	500
2 x 1.0	2 x 18	●	12	19.2	12	5.8x3.2	5.2x2.6	2	216-542	500
2 x 1.5	2 x 16		12	20	12	6.5x3.6	5.9x3.0	2.2	216-543	500
2 x 2.5	2 x 14	●	12	21	12	8.0x4.5	7.2x3.7	2.8	216-545	500
2 x 4.0	2 x 12		12	22	12	9.0x5.2	8.0x4.2	3.5	216-546	500
2 x 6.0	2 x 10	●	12	23	12	11.4x6.2	10.4x5.2	4.5	216-547	500

Ferrule; uninsulated; in standard length										
0.25	24		5	5		1.7		0.75	216-151	1000
0.25	24		7	7		1.7		0.75	216-131	1000
0.34	24		5	5		1.7		0.85	216-152	1000
0.34	24		7	7		1.7		0.85	216-132	1000
0.5	22		6	6		2.1		1	216-121	1000
0.5	22		8	8		2.1		1	216-101	1000
0.75	20		6	6		2.3		1.2	216-122	1000
0.75	20		8	8		2.3		1.2	216-102	1000
1	18		6	6		2.5		1.4	216-123	1000
1	18		8	8		2.5		1.4	216-103	1000
1.5	16		6	6		2.8		1.7	216-124	1000
1.5	16		8	8		2.8		1.7	216-104	1000
2.5	14		10	10		3.4		2.2	216-106	1000
4	12		10	10		4		2.8	216-107	1000
6	10		12	12		4.7		3.5	216-108	250
10	8		12	12		5.8		4.5	216-109	250
16	6		12	15		7.5		5.8	216-110	250

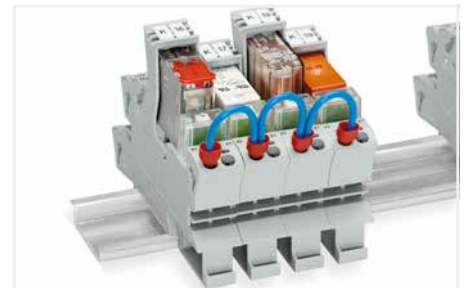


Insulated ferrules



Insulated ferrule

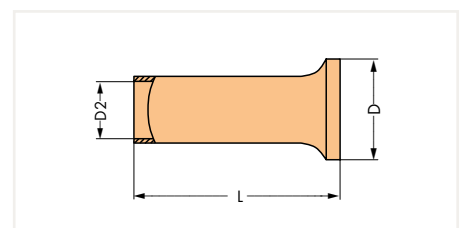
For letters with the corresponding dimensions, see table opposite.



Wire bridge with twin ferrules



Uninsulated ferrules



Uninsulated ferrule